

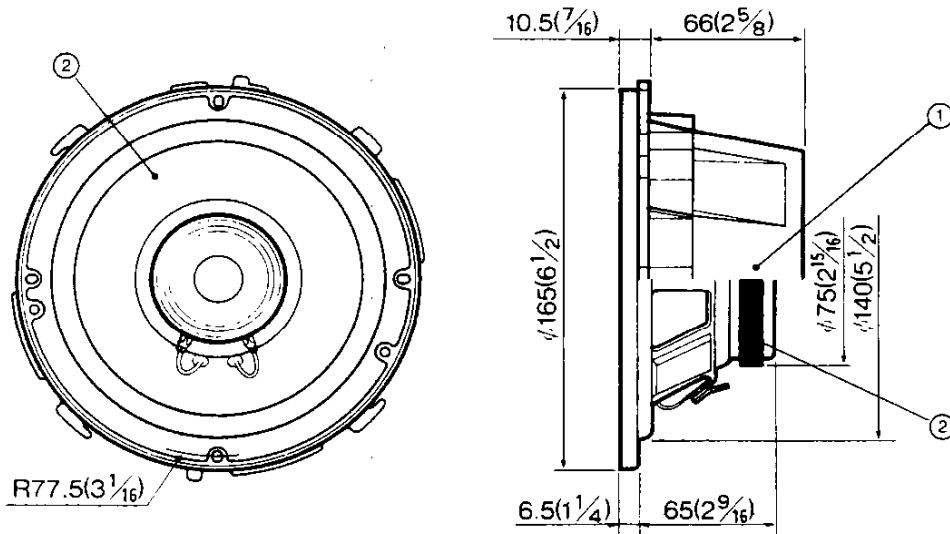
KFC-177D

SERVICE MANUAL

KENWOOD

© 1988-3 PRINTED IN JAPAN
B51-3504-00 (G) 1099

EXTERNAL VIEW



Unit: mm (inch)

SPECIFICATIONS

Speaker	16.5 cm (6-1/2 in) cone-type
	180g (6.37 oz) magnet
Tweeter	50 mm (2 in) Cone type
Peak input power	70 Watts
Sensitivity	91 dB/W at 1m
Impedance	4 ohms
Weight per speaker	700g (1.5 lb)/pc

We follow a policy of advancements in development. For this reason specifications may be changed without notice.

PARTS LIST

★ New parts
Parts without **Parts No.** are not supplied.
Les articles non mentionnes dans le **Parts No.** ne sont pas fournis.
Teile ohne **Parts No.** werden nicht geliefert.

Ref No.	New Parts	Parts No.	Description
①	★	J19-2457-08	BRACKET
	★	N99-1070-08	SCREW SET
②	★	T15-0114-08	SPEAKER